

DESERT ROCKET REPORT

NEWSLETTER OF THE OLDSMOBILE CLUB OF ARIZONA

AN OFFICIAL CHAPTER OF THE OLDSMOBILE CLUB OF AMERICA

DECEMBER 2006



HEY STEVE JOBS, PLEASE LAUNCH A CAR COMPANY

By Dale Dauten. King Features Syndicate.
Printed in the Arizona Republic 11/2/06

Isn't it painful watching the U.S. teams get beaten in a game that we used to own? And I'm not talking about basketball or golf; I'm talking automobiles. The U.S. auto brands are running up a historic losing streak. Where will it end? Project it out on a graph, and the U.S. auto industry is...is...wait a minute, where did it go? Oh, there it is – on the carpet. Could the American auto industry disappear? Impossible. But then, that's what I would have said about American brands of televisions a couple of decades ago. We need a hero, a giant. I don't think the new guy who's going to run Ford is the one, but let's hope. (Alan Mulally is from Boeing, which is not a hopeful sign. If you want to make a Pinto seem like a bit of heaven, get into one after coming off an airplane.) No, we need Steve Jobs to start an auto company. Hey, Steve, come on. You're probably a bit bored with Macs and iPods and Pixar, so give it a shot. I'll place an order

Continued on Page 3

2006 BOARD OF DIRECTORS

President

Gloria Varley
GV442@cox.net
480.998.1449

Vice President

Mikel Hagenian
N404F@aol.com
480.657.8833

Vice President

Fred Mandrick
fmandrick@avconcepts.com
480.998.5635

Secretary

Charli Terry
stuzieq@cox.net
480.892.5524

Treasurer

Stu Schindler
stuzieq@cox.net
480.892.5524

Membership Chairman

Marc Beaulac
beaulac@cox.net
480.279.5556

Newsletter Chairman/Editor

Gloria Varley
GV442@cox.net
480.998.1449

Activities Chairman

Kerry Warrick
ziglots@aol.com
602.980.5239

Chapter Representative to SW Zone

Jim Schultz
rocketranch@cableone.net
928.636.2405

VIP MEMBERS

Webmaster

Karl Sup

Assistant to the Editor

Stu Schindler

Southern AZ Representative

Juanita Kuhn

PACIFIC SOUTHWEST ZONE DIRECTORS

Joe & Gloria Varley

President's Message

What is going to happen to our club? No one has stepped forward to take the President or Secretary positions. We need you to step up and take one of these positions so our club can continue to move forward. I will be staying on the board as the Newsletter Editor for now, and will also assist who ever takes over as President. As long as all the other board positions are filled the President's job is quite simple. With me staying on as the Editor, the President's job is even smaller. If you are thinking of possibly taking this position, give me a call to discuss it.

We had a good car turnout at our last meeting and almost filled the row. Keep up the good work!

December's meeting will take place a week earlier than usual due to the Holidays. We will not have our reserved row, but you can still bring out your car and park in the show.

I hope you and yours have a very happy holiday season.

Keep those rockets rollin',

Gloria

P.S. Please start collecting door prizes for our February Car Show. You can give them to Fred Mandrick or me.

DEADLINE FOR SUBMITTAL TO THE MONTHLY NEWSLETTER

Information to be considered for submittal in to the newsletter needs to be received by the 25th of the month. Please send your information as an email or attach it to your email in word document form. If you have problems or questions, ask any board member for assistance. Please email your submittal to: info@azoldsclub.com

....for one of your cars right upfront, and I bet there are plenty of others like me. What got me thinking about who could change the U.S. auto industry was speaking with Charlie Hughes, who might be able to pull it off personally. He started the North American division of Land Rover and ran Mazda's North American operations for a while, and he's written an intriguing book about salvaging our auto industry and about branding in general. It's called *Branding Iron*, just out from Racom Communications, co-authored with William Jeanes. Hughes argues that the problem with U.S. car companies is that they got fixated on costs. It's common to blame the failure of auto companies on labor costs, but Hughes doesn't even raise that issue. Rather, he told me: "It's a revenue issue. You and I know from experience that if our incomes are going up, we'll figure out a way to handle expenses." And revenues are a result of branding, which to Hughes means a product that "stands for something." As he put it: "You have to stand for something before you can stand out in the market. A brand is a promise wrapped in an experience." He added: "How many (car brands) make a clear commitment to customers? You know what Toyota stands for and BMW, but what does Mercury stand for? And, not just to pick on American cars, what does Mitsubishi stand for?" In 1986 when he was assigned to create a North American version of the Land Rover, the vehicles had a clear reputation, echoed by their ad line "The Best 4 x 4 x Far," along with a promise of off-roading adventure. Hughes set out to wrap the promise in an experience. He and his new colleagues had done plenty of off-roading, but wanted to find a way to give car buyers a bit of the Land Rover experience. Because every dealership would have different configurations, and most would not have a lot of spare real estate, they needed to come up with a compact and creative demonstration space. So, as Hughes put it: "We sent two guys and a backhoe into a field to play around. We have them a goal of 100 feet." I don't know if you've ever been on a Land Rover test ride, but it is an experience. The vehicles sit at angles that would make Newton cry out in terror, and make every passenger eager to own one. We also learn in *Branding Iron* that when Hughes created the North American team, he began with one of those familiar "retreats," but instead of starting it with a PowerPoint presentation, he began with "Love the Product" day, with his new team driving Land Rovers and the vehicles of their competitors. So you start with a product you can love, then get two guys and a backhoe, and you're on your way. It's hard to imagine that happening in Detroit. Which is why I'm begging you, Steve Jobs, to start a car company. You understand that it's not about being the cheapest; it's about being the coolest by being the most functional and a joy to use. We need less Detroit and more California, and you're the one for the job. I don't want a Gates or a Trump; I want a Jobs. Let me know, and I'll send a deposit check.

ALL THE NEWS THAT'S FIT TO PRINT

NEXT MEETING, SATURDAY, DECEMBER 16, 2006 – DATE CHANGE

The next meeting of the Oldsmobile Club of Arizona will be held on Saturday, **December 16 at 4:00 p.m.** The meeting place is the Oriental Garden restaurant located in the Scottsdale Pavilions Shopping Center, Loop 101 & Indian Bend Rd. in Scottsdale. In conjunction with our meeting, there is a car show at the Rock 'N Roll McDonalds. We **will not** have a row reserved in the McDonalds parking lot since this is the 3rd Saturday of the month, but you can come early and park somewhere else in the McDonald's lot.

IS YOUR NATIONAL MEMBERSHIP CURRENT?

As you should know, all Oldsmobile Club of Arizona members are required to be members of the Oldsmobile Club of America (OCA), the national club. Once a year we have to submit a list of our members to them, to ensure that we are compliant with their rule. **We have submitted the list and some of you have expired memberships and some are expiring soon.** If your OCA membership is not current, please renew it right away. You can tell if your membership is current if you are receiving the monthly magazine *Journey With Olds (JWO)*. If you are not receiving this magazine, then your membership has expired. Your membership expiration date is shown on the mailing label of the JWO. **We have to remove the non-compliant members from our roster. Don't let this happen to you.**

IT'S TIME TO RENEW YOUR DUES

It's time to renew your membership dues for 2007. You asked for it and now you got it, you now have the option of renewing your dues for 1 or 2 years! If you are married or have a Significant Other, your dues are \$24.00 for 1 year, and \$44.00 for 2 years. If you are single your dues are \$21.00 for 1 year, and \$38.00 for 2 years. Please fill out the renewal form that appears in this newsletter and mail it in along with your check for the appropriate amount. Renewals are due by December 31, 2006. If you are unsure if you need to renew, check with Marc Beaulac (contact information on page 2).

POTLUCK DINNER, JANUARY 6th, 2007

Our Annual after the Holiday's Potluck Dinner will be held on Saturday, January 6th at Fred & Collette Mandrick's Scottsdale home at 6:30 p.m. The club is furnishing the drinks & dessert. Please bring a main dish/side dish with you. After dinner we will play *Scream & Holler*, so bring some quarters too! There will be a car show meeting immediately preceding the dinner at 5:30 p.m. If you are able to help out with the planning of the car show and/or work the day of the show, please try to attend. If you haven't signed up to work at the show please do so! Let Fred Mandrick know. RSVP not necessary. Don't forget to wear your name badge, and bring a folding chair just in case it is needed.

Mandrick's address & directions: 9437 E. Sands Drive, Scottsdale, AZ, 480-998-5635. From Loop 101 in Scottsdale take the Princess Dr / Pima Rd exit 36 and go north on Pima (not the Pima Rd / 90th St exit) (Princess / Pima is north of Frank Lloyd Wright Blvd.). Go north on Pima approximately 3 miles and turn right (east) on Los Gatos Dr. Go approximately ½ mile and turn right (south) on Adobe Dr. Make a left onto Sands Drive. It is the second driveway on the right. Come on in and park in the courtyard.

OLDSMOBILE CAR SHOW AND BBQ DINNER

The Oldsmobile Club of Arizona's annual All Oldsmobile Car Show is taking place on Saturday, February 24, 2007. In conjunction with the car show we are hosting a BBQ Themed Dinner on Friday night, Feb. 23rd to thank all the people that are coming to our show from out of town. The main course and drinks will be provided by the club. All club members are invited and asked to bring a side dish or dessert item (out of state attendees do NOT need to bring a dish, but still need to RSVP). We would like to keep with a BBQ theme, so to make sure we get a variety of food please contact Gloria Varley to find out what food item you should bring. The dinner will take place at 6:30 p.m. at Kerry Warrick's home. Please bring a folding chair with you and don't forget to wear your club name badge.

Address & directions: 6115 E. Joan De Arc, Scottsdale, AZ, 480-451-3404. From Loop 101 in Scottsdale take The Cactus Rd. Exit and go left (west), go 2.9 miles and turn right (north) on 64th St., go 0.7 miles and turn left on Joan De Arc Ave., the house will be on your left.

Contact Gloria Varley at info@azoldclub or 480-998-1449 to RSVP & to find out what dish to bring (out of state members do not need to bring a dish).

HOTEL INFORMATION FOR FEBRUARY CAR SHOW

For the people attending our show from out of town, we have secured a special hotel rate at The Inn at Pima. The rate is \$119 per night. They have a block of rooms reserved for the Oldsmobile Club until January 23rd. If reservations are booked after this date the rate will still be honored but the room will be based on availability. This hotel is extremely close to where our car show is taking place. Their phone number is 800-344-0262 or 480-948-3800. Their address is 7330 N. Pima Rd., Scottsdale, Arizona. Please share this information with anyone you know that may come to our show from out of town.

SPONSOR A CAR SHOW TROPHY FOR OUR FEBRUARY ALL OLDSMOBILE SHOW

We need help paying for the car show trophies at our February Car Show. We are offering trophy sponsorships for \$25 each. If you are able to help, send your trophy sponsorship money with your car show registration form.

OLDSMOBILE NATIONAL MEET TO BE HELD IN BOWLING GREEN, KENTUCKY IN 2007.

The meet dates are July 18th – 21st. Rumor is the host hotel is full, but the hotel that is directly across the street that may still have rooms. If you are thinking about going, make your reservations now!

Host Hotel: **Holiday Inn, University Plaza**
1021 WILKINSON TRACE
BOWLING GREEN, KY 42103
1-270-745-0088

Overflow Hotel: **Courtyard by Marriott**
(270) 783-8569

Refer to the Oldsmobile Club of America Room Block
Rate \$90.00 per night + 11.25% room tax

Other Hotels in the Bowling Green area: (closest hotels listed first)

Hampton Inn	(270) 842-4100
Drury Inn & Suites	(270) 842-7100
Baymont Inn & Suites	(270) 843-3200
Fairfield Inn	(270) 782-6933

MEETING MINUTES, SATURDAY, NOVEMBER 25, 2006

BOARD MEETING MINUTES

- Meeting brought to order by President G. Varley at 3:15 p.m. Present were 4 board members.
- Last month's minutes were approved as published.
- Treasurer's report reviewed
- Marc will let the board know which members still need to renew soon.
- Amsoil dealer has offered to be a guest speaker at a function or meeting. It was suggested that we ask some of the long term members if this is a product they are interested in before committing.
- No t-shirt artwork received yet. Fred said the artist doing the design didn't come through. Will ask Karl Sup if he can do it and/or design the dash plaque.
- Car Show report from Fred Mandrick. Dash plaque designed?
- Marc volunteered to mail Car show flyers to last year's attendees and other years' attendees. Flyers to be mailed on January 2, 2007.
- Received 55+ RSVP's for the holiday party so far.
- Marc will man the membership table today.
- Due to the holidays the next meeting will take place at the Oriental Garden on December 16th at 3:00 p.m.
- Meeting adjourned at 3:40 p.m.

GENERAL MEETING MINUTES

- Meeting brought to order by President G. Varley at 4:10 p.m. Present were 4 board and 13 members. All members introduced themselves.
- The minutes of our last meeting that took place on 10/21/06 were approved as published.
- G. Varley reported a balance of \$6,231.36. Report will be filed for audit.
- Discussed open board positions. No volunteers.
- Greenway Car Show report given by Andy Vogt.
- Members were encouraged to renew their OCA & OCAZ dues. If OCA dues aren't renewed timely those members will be removed from our club's roster, otherwise we could loose our chapter charter.
- Holiday Party at Cantina Laredo on Saturday, December 2nd. RSVP's limited to the 1st 76.
- Potluck dinner at Fred & Collette Mandrick's house on Saturday, January 6, 2007.
- BBQ Dinner at Kerry Warrick's on Friday, February 23rd. This is the night before our car show.
- Time to start gathering door prizes for Feb. car show. Give to Fred Mandrick or Gloria.
- Sponsor a car show trophy for \$25.00.
- Next meeting will take place at the Oriental Garden on December 16th at 4:00 p.m. We will not have our reserved row at McDonald's.
- Need articles for the newsletter as always.
- Name badge drawing name was Jeff Buntin. He was not present. Mikel Hagenian's name was then drawn. He was not present either.
- 50/50 raffle winner was Neal Dederich. He won \$21.50.
- Meeting adjourned at 4:42 p.m.

I just love Muscle Cars. I just love puzzles, too. Put them both together and you have a fun challenge. This trivia challenge was found in a "Consumer Guide Auto Series Magazine" from 1985.

Answers on Page 16

Muscle Car Word Search

How to play: The muscle car names are in all directions—vertically, horizontally, diagonally, and backwards. Circle each name found.

B I F I R A X M E F A I R L A N E F O B
 A U T I R Y W T G A X E A C M M F A O A
 R G J B R I T K N L B R M H U B X L V R
 I V O S G E C P A E H O R N E T D C H A
 V C Z K V J B A L B G X U P C S I O B M
 C G N R C D F I C Y I T H D M V E N F B
 H R O G O H A U R P M E B O Z D N L J L
 E C F T M Y A G H D R O B S I A C G G E
 C J L B E K N L J K X I U S R K A T Z R
 H O R B T A L E L N L P D T D E M O N M
 E Y H O T R F J O E E X F O H C R G P R
 V T S S P D A U X R N T D T N A V E A E
 E A U U C V Y N B T M G T A Y M D C B N
 L M O P E P E I S G E O E I K A F H F N
 L P G L T L R H M E B S T R V R M O V U
 E A I T Z D E C H R Y S L E R O S D R R
 F N E G O L R T R A N S A M E K I L H D
 U O L J B S E M I A D U C A R R A B O A
 R S O Y R U C R E M T R A U P Z J V N O
 B A R R D G N Z S K Y L A R K T A B E R

- | | | |
|------------|----------|-------------|
| AMX | Dodge | Mustang |
| Barracuda | Fairlane | Oldsmobile |
| Camaro | Falcon | Plymouth |
| Challenger | Firebird | Rambler |
| Chevelle | Ford | Rebel |
| Chrysler | GTO | Road Runner |
| Cobra | GTX | Shelby |
| Comet | Hornet | Skylark |
| Corvette | Javelin | Superbird |
| Demon | Mercury | Trans Am |

What's better than a good movie? A movie from years ago that besides following the plot you can spot great classic cars. While everyone remembers the Mustang and Charger from Bullitt how about the 1940 Packard parked out front on the street of Steve McQueen's apartment? Or maybe the 1968 GTO that gets passes by during the infamous chase at least three times. Well if you like "spotting" great cars in the movies new and old have I got a website for ya'll !!!!
www.imcdb.org

Take a look at the article below. There's something here for everyone. Thanks and kudos to Hemmings Motor News. I found this story in the latest October 2006 issue.

Internet Movie Car Database

When you've just gotta see a movie with a De Soto in it

BY DAVID LaCHANCE

Quick Facts

URL: www.imcdb.org

Type: Searchable database of cars and trucks used in movies and television programs

Focus: All makes, all models, all years

Registration: Not required

Family Rating: G

Hemmings Rating: ★★★★★

A boon to movie viewers everywhere, the Internet Movie Database (or imdb.org) has established itself as the place for information on movies and actors. Does the actress playing Aunt Barbara in *Blue Velvet* look familiar? A quick visit online, and the IMDb will not only tell you that her name is Frances Bay, but it will list every other production she's been in, helping you to remember that you recognize her from *Happy Gilmore*, where—oh, yeah—she played Grandma.

Well, what IMDb has done for movie viewers in general, the Internet Movie Car Database has done for car enthusiasts. The IMCDB is a free database that is searchable by both make and production title, and even ranks the importance of the car to the plot—all the way from five stars, for cars that are major stars of the movie or TV show (think of the original Eleanor from 1974's *Gone with the Wind*) to one star for bit players and cameo appearances (say, the 1960 Chevrolet Corvair that shows up in an episode of *The Simpsons*). To call IMCDB extensive would be an understatement. There are 949 different makes listed, everything from Abarth through Zundapp, and more than 4,000 movie titles covered. There are video captures, too.

The site is a cooperative production of a number of unnamed people who like both automobiles and movies, "especially when the two are mixed together." Although it is based in France, this is a truly international site, viewable in Eng-



1960 Mustang, Buell, 1958



Porsche 917, Le Mans, 1971

lish, French or German, and contains movie titles and automobile makes from all around the world. Three dozen administrators from the United States, France, Germany, England, Spain, Austria, the Netherlands, Luxembourg, Slovakia, Belgium, Finland, Sweden, and Estonia are the most active members, and lend their considerable knowledge to the site. Why a Pontiac Le Mans on the home page? "Because lots of people love this car, it is quite famous and also because it is nice," an administrator explains.

You can just sit back and browse if you like, but IMCDB invites you to become a participant, too. If you know of a movie that's not in the database, you can go to the forum and submit images. If you're a car spotter, this site is nirvana—there are more than 900 unidentified vehicles just waiting to be labeled, and a forum, with one thread per make and model,

dedicated to pointing out all the little details that differentiate one year or one model from another.

A "Statistics" section offers fascinating information. Did you know that Fords show up most often on screen, with 5,832 appearances, followed by Chevrolet with 3,374, Mercedes-Benz with 1,900, and Renault with 1,653? Or that the most common model to appear in a production is the Ford Crown Victoria, thanks to those old standbys so necessary to so many plots, the taxi cab and the police car? Or that a Crosley pickup appeared in one movie, *National Lampoon's Animal House*? Or that Hispano-Suizas have been featured 11 times? We could go on, but you get the idea. Oh, and if you're looking for a De Soto, a 1958 Firesweep gets plenty of screen time in 1972's *The Effect of Gamma Rays on Man-in-the-Moon Marigolds*, if you can find it. ☺

CLUB CALENDAR OF EVENTS

DECEMBER 2006

Sat 2nd Annual Holiday Party
Sat 16th Monthly Meeting at 4pm

JANUARY 2007

Sat 6th Potluck Dinner

FEBRUARY 2007

Fri 23rd BBQ Dinner
Sat 24th Annual All Oldsmobile Show

LET'S GET PERSONAL

DECEMBER BIRTHDAYS

Don	Thompson	1st
Carolyn	Keller	5th
Joanne	Yon	8th
Donna	Lack	9th
Pat	Gaynor	10th
Joe	Ambrose	23rd
Collette	Mandrick	23rd
Joe	Korff	24th
Roy	Lack	29th
Christine	Menard	29th
John	Dertinger	30th
Dee	Beaulac	31st



CLASSIFIEDS

Classified ads are free to Oldsmobile Club of Arizona members, unlimited words within reason. Non-members pay \$5.00 per ad, up to 25 words. Please submit your classified advertisement in electronic format by the 25th of the month to info@azoldsclub.com. Mail your payment to the Oldsmobile Club of Arizona, P.O. Box 15692, Scottsdale, AZ 85262.

FOR SALE

- **NOS grills (still in the boxes)** for a 1972 Cutlass together with fiberglass spacer between grills. Will sell as a unit for \$500. Chet Yon 480-837-2230; yonlaw@qwest.net or cjon@cox.net
- **2001 Aurora** 4.0 L V8 with all the bells and whistles and all maintenance including Brake, power steering, transmission, and cooling system fluid changes. 49,500 mi. It's my personal one owner ride and it also has new (about 12,000 mi) Michelin Pilot Sport tires. \$12,500. [Tom Ankeny@tempe.gov](mailto:Tom.Ankeny@tempe.gov) or 480-350-2648.
- **1959 NOS full size Olds Grille**, New in box, never on a car. Fits 88 OR 98. \$250.00. Contact Bob Lefrancois at 928-685-3955 or olds65_1@juno.com
- **1954 OLDS SUPER 88**. Original Phoenix car. Excellent chrome, stainless, glass, body. No pitting, rust. Good upholstery, no tears. Padded dash without a crack. Mechanically sound. Good engine and auto transmission. Green and white 4-door. 52,000 miles. Too many cars, too little space. Asking \$8,000. Ned Miner. (480) 515-1358
- **'66 Olds F 85 Holiday sedan**, 87,000 Arizona miles. Family owned, and garaged, from day one. Excellent condition inside and out. PS,PB, A/C. Great mechanical condition. Looking for fast sale: \$6000 OBO. "Joe" 480 575-8406, jgilleland3@aol.com
- **1973 Oldsmobile 98** - 4 dr. Engine completely redone. 455, PW, PB, Tilt wheel, cruise. New tires, brakes, windshield, paint. \$2995 OBO. 480-816-0649.
- **1979 Oldsmobile Toronado**
Owned since 1981 and garaged. White car with 125K miles. Excellent condition with 350/4bbl, original (nice) light powder blue interior. New or rebuilt: Transmission, flywheel, rear end, motor mounts, timing chain, water pump, mufflers, axle assembly + boots, ball joints, fuel pump, starter, shocks, halogen headlights. Asking \$2,750. Contact Sherman at tingey1@msn.com, Office: 480-897-2600, Home: 480-838-2909

WELCOME NEW MEMBERS!

John & Carol Dertinger, Mesa AZ
1969 442

Bruce & Robbin Lieberman, Scottsdale AZ
1957 Super 88 4 dr sedan, 1957 Super 88 convertible

Robert & Rita Schuhle, Phoenix AZ
1970 442

Allyn Plowe, Mesa AZ
1938 F-38

Dec. 2 - 2nd Annual SVTOAZ Toys for Tots Car Show at Berge Ford Fleet Center (461 E. Auto Center Drive) - All Ford and Ford Family vehicles welcome! - Trophies, 50/50 and BBQ - Entry 1 new unwrapped toy or \$20 (prereg.) or \$30 day of show - Reg. 9-11am, Awards 2pm - Mesa - Info: Kristin 480-497-7529

Dec. 3 - 22nd Annual Toyz For Totz Cruise to Wickenburg presented by the Remember When Cruise Assoc and Cops Who Care - meet at Honeywell North Parking lot 9am, Cruise 10am, start 11am - entry 1 new unwrapped toy - Phoenix / Wickenburg - Info: Bob 602-943-3532, Dee 602-938-3068 or Dick 602-268-0454

Dec. 9 - Havin' a Cool Yule Holiday Toy Drive - Old fashioned street tour followed by a Show & Shine in the park - Tour starts at 10am from Primrose St. and Grand Ave - Show & Shine at 11am, Bill Gentry Park - Open to all years, makes and models - Entry donation, two new, unwrapped toys - Coffee, Donuts and police escort through town provided by the El Mirage Police - Dash Plaques provided by Mopars Unlimited of Arizona - El Mirage - Info: Sgt. Allen Romer 623-433-9537

Dec. 10 - Secret Santa Society Car Show at A&W Root Beer (1495 N. Dysart Rd (S. of I-10)) presented by the Coyote Cruisers - Registration 9:30am, Show 10am-2pm, Awards & 50/50 at 1:45pm - Entry Fee: 1 new unwrapped toy & \$7.00 - Avondale - Info: Bill 602-300-5606

Dec. 10 - 2nd Annual Power Chevrolet Toys for Tots Car Show at Power Chevrolet (91st Ave. & Bell Rd.) - open to all domestic cars, trucks and t-buckets 81' and older - 9am to 3pm - awards, music, t-shirts and dash plaques - \$25 entry - car clubs are welcome with preferred parking - Peoria - Info: Derek 623-974-0000

Jan. 6-7 - Winter Break Car Rally at Edgewater and Riverside Parking Lots - \$25 before Dec. 1, \$35 after includes Entry, Music, Raffles, Prizes, T-Shirt, Plaque, Goodie Bag, One complimentary drink at Car Rally Reception, Sock Hop with Best of the 50's Outfit Contest, 2 Winter Break Wristbands, 1 Brunch on Sunday - 9am-4pm - Jan. 7 Route 66 Poker Run to Oatman - Laughlin, NV - Info: Darryl 480-926-5749

Jan. 12-14 - 38th Annual World of Wheels at Cardinals Stadium - Phoenix - Info: 623-362-8768

Jan. 13-21 - Barrett Jackson Collector Car Auction – Westworld – 16601 N. Pima Rd, Scottsdale, AZ 85260

Jan. 13 - 3rd Annual Palm Creek Golf & RV Car Show at Palm Creek Golf & RV Resort (1110 N. Henness Rd.) join us in this beautiful setting with lush green grass - \$15 entry includes dash plaques, goodie bag - trophies, 50/50, beer, food and entertainment, vendors welcome - No animals - Cars arrive 8am, car show 10am-2pm - open to all cars and trucks - Casa Grande - Info: Carolyn 520-876-8930

Jan. 17-21 - Russo and Stele Collector Car Auction – Scottsdale - North Scottsdale Rd & North 101 Loop Freeway

Jan. 20 - Santa Cruz Valley Car Nuts 13th Annual Collector Car Show presented at Tubac Golf Resort - Pre-reg. required, \$25/car, Day-of-Show Entries will not be accepted - 22 classes - 10am-3pm - Rain Date: Jan. 27, 2007 - Registration forms available Sept. 2006 - Tubac - Info: Duane 520-885-6630

Jan. 20-21 - Historic Casa Grande Downtown Car & Bike Show - Downtown Casa Grande (2nd St. & Florence St.) - entry \$25 - all vehicles, trucks, street rods, motorcycles welcome - Info: Al 520-705-8485

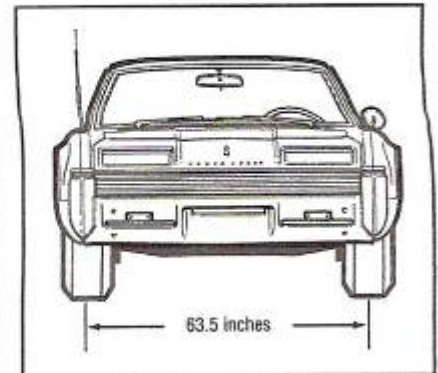
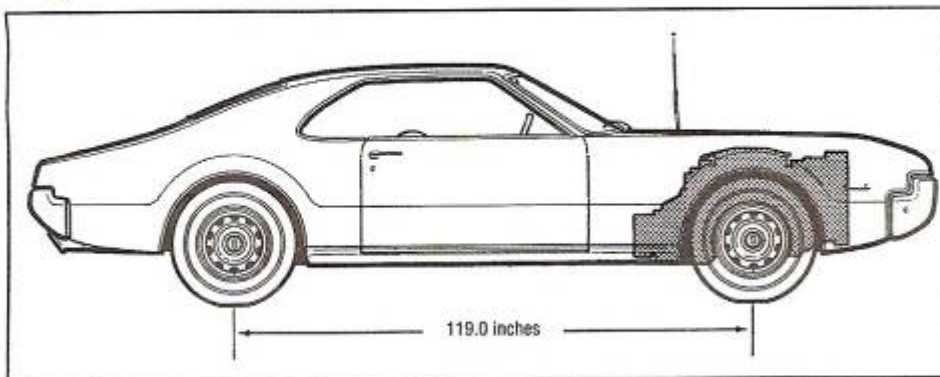
Jan 25 – 28 – Kruse Collector Car Auction – Phoenix – Arizona State Fairgrounds – 1826 W. McDowell Rd.

Jan. 27-28 - 16th Annual Papago Military Vehicle Show at the Arizona National Guard (1335 N. 52nd St.) - 8AM-4PM - Phoenix - Info: Jerry 480-497-9722

All specifications pages can be found in "Hemmings Book of Oldsmobile". Most of these spec pages originally appeared in "Special Interest Autos Magazine". Thought it would bring back some memories for ya'll.

specifications

Russ von Sauers. The Graphic Automobile Studio



1966 Oldsmobile Toronado fwd 6-passenger coupe

<p>Price when new\$4007 f.o.b. Lansing (1966).</p> <p>ENGINE Type.....Dhv V-8, cast-iron block, water cooled, 5 mains, full pressure lubrication. Bore & stroke.....4.126 3.975 in. Displacement.....425 cid. Max. bhp @ rpm.....385 @4800. Max. torque @ rpm.....475 @ 3200. Compression ratio.....15.5:1. Induction system.....Single 4-bbl. carburetor, mechanical fuel pump. Exhaust system.....Cast-iron manifolds, twin exhausts, single muffler, dual resonators. Electrical system.....12-volt battery/coil.</p> <p>CLUTCH Type.....None.</p> <p>TRANSMISSION Type.....Turbo Hydra-Matic 400 3-speed automatic with torque converter. Ratios: 1st.....2.48:1. 2nd.....1.48:1. 3rd.....1.00:1. Reverse.....2.45:1.</p> <p>DIFFERENTIAL Type.....Spiral bevel with planetary gearset. Ratio.....3.21:1. Drive axles.....Independent, double jointed, front-wheel drive.</p>	<p>STEERING Type.....Semi-reversible recirculating ball nut with coaxial power assist. Turns lock to lock.....3.4. Ratio.....17.8:1. Turn circle.....43.0 ft.</p> <p>BRAKES Type.....4-wheel hydraulic drums, internal expanding. Drum diameter.....11.5 in. Total swept area.....328.2 sq. in.</p> <p>CHASSIS & BODY Frame.....Box-section steel, 5 cross-members, ends at rear-spring mount. Body construction.....All steel. Body style.....2-door, 6-passenger coupe.</p> <p>SUSPENSION Front.....Independent, with transverse A-arms, longitudinal torsion bars, tubular hydraulic shocks, anti-roll bar. Rear.....Hat-section beam axle, single-leaf longitudinal springs, twin tubular shocks (vertical and horizontal). Tires.....8.85 x 15 T-FD 4-ply. Wheels.....Pressed steel centers, drop-center rims, offset 3 1/4 in. lug-bolted to brake drums.</p>	<p>WEIGHTS & MEASURES Wheelbase.....119.0 in. Overall length.....211.0 in. Overall height.....52.8 in. Overall width.....78.5 in.56 Front tread.....63.5 in. Rear tread.....63.0 in. Ground clearance.....5.0 in. Curb weight.....4,860 lb, dry.</p> <p>CAPACITIES Crankcase.....5.0 qt. Cooling system.....18.0 qt. Fuel tank.....24.0 gal.</p> <p>FUEL CONSUMPTION Best.....11-14 mpg. Average.....10-13 mpg.</p> <p>PERFORMANCE (from Car Life, Feb. 1966): 0-30 mph.....3.2 sec. 0-40 mph.....4.9 sec. 0-50 mph.....6.8 sec. 0-60 mph.....8.9 sec. 0-70 mph.....11.5 sec. 0-80 mph.....14.5 sec. Standing 1/4 mile.....17.8 sec. & 86.0 mph. Top speed (av.).....135 mph.</p>
--	---	--



MEMBERSHIP RENEWAL APPLICATION

O.C.A. NUMBER: _____

MEMBERSHIP IN OLDSMOBILE CLUB OF AMERICA IS REQUIRED.

NAME: _____ DATE OF BIRTH: MONTH ____ DAY ____

SPOUSE: _____ DATE OF BIRTH: MONTH ____ DAY ____
(OR SIGNIFICANT OTHER)

JR. MEMBERS NAMES/BIRTHDATES _____
(CHILDREN LIVING IN THE SAME HOUSEHOLD, UNDER THE AGE OF 21)

ADDRESS: _____

PHONE: _____ E-MAIL _____
(YOUR EMAIL ADDRESS WILL ONLY BE USED FOR CLUB COMMUNICATION)

OLDSMOBILES CURRENTLY OWNED: _____

ANNUAL MEMBERSHIP

DUES: COUPLES (DUAL MEMBERSHIP): **\$24 PER YEAR/\$44 FOR 2 YEARS**
SINGLE MEMBERSHIP: **\$21 PER YEAR/\$38 FOR 2 YEARS**

RENEWALS NEED TO BE RECEIVED NO LATER THAN DEC. 31ST.

MAIL TO: **OLDSMOBILE CLUB OF ARIZONA, INC.**
P.O. Box 15692
Scottsdale, AZ 85267



20th Annual ALL OLDSMOBILE CAR SHOW

Saturday, February 24, 2007
Show Hours 10 am - 2 pm

Rock 'N' Roll McDonalds
Scottsdale Pavilions
9140 E. Indian Bend Road
Scottsdale, Arizona
Loop 101 & Indian Bend Road



OPEN TO ALL

**Pre-Registration Deadline is
February 15, 2007**

Pre-Registration Fee:
\$20 first car, \$10 second car

Day of Show Registration: \$25

The first 100 registrants will receive a goodie bag, dash plaque and a special drawing ticket! Lots of classes, trophies & door prizes! 50/50 Raffle!

Check In: 9 - 10 am

Awards Presentation: 1:30 pm

Trophies Awarded

1st, 2nd, 3rd Place in each class
Best of Show
Participant's Choice
Long Distance Award

Immediately following the All Oldsmobile Show, in the same location, is The World's Largest Weekly Classic Car Show. Hope you can stay and continue the fun!

The show is free!

CLASS 100	1897 - 1948 All	CLASS 1000	*Performance 1970-1972 Conv
CLASS 200	1949 - 1955 All	CLASS 1100	*Performance 1973 & up
CLASS 300	1956 - 1960 All	CLASS 1200	Toronado
CLASS 400	1961 - 1965 Cutlass & F85 All	CLASS 1300	Station Wagons
CLASS 500	1966 - 1969 Cutlass & F85 - All	CLASS 1400	All Modified**
CLASS 600	1970 - 1972 Cutlass & F85 - All	CLASS 1500	Under Construction & Beaters
CLASS 700	1961 - 1988 Full Size & Starfires	CLASS 1600	1973 - 1988 All Other
CLASS 800	*Performance 1964-1969 All	CLASS 1700	1989 - 2004 All
CLASS 900	*Performance 1970-1972 Closed		

*Performance cars are: 442, W30, W31, W32, Rallye 350 and Hurst/Olds.

**A car is considered modified if it has a non-original GM engine or has an increase of 50 CI, any major body modification, "custom" paint, or is a "phantom" car.

***Classes are subject to change.

**Come out and enjoy a day in the sun,
while supporting a very good cause,
the Ronald McDonald House Charities**

Questions about the show?
Contact Fred Mandrick at 480.998.5635
az442w30@yahoo.com
or
Jeff Buntin at 480.588.6443
jbinaz3@cox.net

www.azoldclub.com

Complete registration form and mail to:
Charlene Terry
P.O. Box 62375
Phoenix, Arizona 85082

**Pre-registration deadline is
February 15, 2007**
Check in 9 - 10 am the day of the show

NAME					
ADDRESS					
CITY		STATE		ZIP	
PHONE		EMAIL			
MODEL		YEAR		CLASS ENTERED	
MODEL		YEAR		CLASS ENTERED	

Entry Fee _____ \$20 for first car, \$10 for second car entered
 Door Prize Tickets _____ 10 Tickets for \$5 with pre-registration (7 for \$5 day of show)
TOTAL _____ **Make Check Payable to OLDSMOBILE CLUB OF ARIZONA**

I, the undersigned do hereby release the Oldsmobile Club of Arizona, its officers and members, and McDonalds from any damages, injuries, losses, judgments and/or claims from any cause that may be suffered by anyone participating in this event.

Signature _____ Date _____
 Event held rain or shine. No refunds after February 15, 2007

MEMBER RECOMMENDED AUTOMOTIVE BUSINESSES

LOCAL SOURCES

Painters Auto Body, 22080 S. Scotland Ct., Queen Creek, 480-987-7968 (by Joe Varley)
Grant's Transmission, 215 W. Broadway, Phoenix, 602-276-9151 (by Joe Varley)
Tri-City Transmission, 203 N. McClintock, Tempe, 480-968-5062 (by Joe Varley)
Denny's Transmission, 3902 S Central, Phoenix, 602-268-0663 (by Kenneth Schopen)
Jordan Alignment & Brake Specialists, 8718 E McDowell Rd, Scottsdale, 480-945-2040 (by Roy Lack)
Scottsdale Muffler, 1900 N. McClintock, Tempe, 480-994-4741 (by Joe Varley)
Verdone Auto Upholstery & Convertible Tops, 2414 N. Scottsdale Rd., Scottsdale, 480-481-0840 (by Joe Varley)
Teagarden's Auto Air, 2729 E. Indian School Rd, Phoenix, 602-955-5057 (by Joe Varley)
Superior Pump Exchange, 2341 W. Cypress, Phoenix, 602-252-7308 - water pump rebuilding (by Joe Varley)
Northside Rebuilders Supply, 1027 E. Washington, Phx, 602-252-1023 - starters, alts & generators rebuilt (Joe V)
Greulich's Engine Machining, Scottsdale, 480-948-3042 (by Joe Varley)
Ketchum's Automotive, 8900 E. San Victor, Scottsdale, 480-860-8199 general auto repair (by Joe Varley)
NAPA Auto Parts - quality rebuilt parts, older electrical parts, and tough to find parts (by Kenneth Schopen)
American Plating, 202 W. Gibson Ln, Phoenix, 602-253-2830, bumper rechroming (by Joe Varley)
Space Age Paint & Supply, 707 S. Country Club, Mesa, 480-835-0971 - paint/supplies/vinyl dyes (by Joe Varley)
Enviro Stripping Technology, 204 W. Maricopa Frwy, Phoenix, 602-258-5583 - paint removal/media stripping (Joe V)
Mel Nelson Radio Repair, Phoenix, 602-277-0719, 1970's and older radios only (by Joe Varley)
Mobile Audio, 3050 S. Country Club, Mesa, 480-545-5087 Howard, classic car radios (by Roy Lack)
Fix-A-Dent - Scott Flynn, 480-250-8866, mobile dent repair (by Roy Lack)
David A Lindquist, 562-698-4445, antique automotive clock repair (by Roy Lack)
Campus Alignment & Brake Service, 910 N Scottsdale Rd, Tempe 480-967-8390 (by Kenneth Schopen)
Bailey's Machine Shop, 727 N. Country Club Dr., Mesa 480-962-9756 (by Karl Sup)
Dick Decker, 480-456-8889, rear axle rebuilding (by Karl Sup)
Chevelle Specialties, 1620 East Pinchot Avenue, Phoenix 602-297-1202 specializing in repairs & restorations of Chevelles, 442's and GTO's from the mid 1960's to the early 1970's. (by Craig Dayton & Art Soucek)

INTERNET SOURCES

www.kelseytire.com Reproduction tires for collector cars
www.coker.com Reproduction tires for collector cars
www.smsautofabrics.com Fabrics for all American cars from the 40's-90's, plus a little more
www.accmats.com Auto Custom Carpets
www.opgi.com/indexnew.asp Original Parts Group - specializing in classic GM "A" Body restoration parts
www.supercarsunlimited.com Restoration parts for your cutlass/442/hurst olds/vista cruiser
www.442.com Buy and sell cars and parts plus helpful technical information
www.yearone.com Reproduction parts
www.drdecal.com Restoration decals & literature
www.fusick.com New & reproduction parts
www.thepartsplaceinc.com Restoration parts
www.yearone.com Restoration parts
www.autosunvisors.com Restore or buy replacement sun visors
www.partsvoice.com 138 million OEM parts
www.oldcarnetwork.com New & reproduction parts
www.stencilsandstripes.com Reproduction paint stencils, stripes, and decals
www.window-sticker.com Window Sticker Reproductions
http://oldsgmail.com Information on Oldsmobile G-Body cars (1978-1988)
www.oldsmobility.com Information on 1967 A-Body cars
www.oldsrocket.com General Olds info/discussion
http://www.oldsclub.org/OldsmobileMailList.htm Olds discussion forum

ARIZONA CRUISE NIGHTS

Wednesday	Goodyear	Albertson's Parking Lot, 409 N. Litchfield Road. (Every Wednesday Night) 602-277-3821
Friday	Flagstaff Tempe Chandler Gilbert Phoenix – West Side Prescott Valley Tucson	Galaxy Restaurant, 931 W. Route 66 Arizona Mills Mall at 5 & Diner, 4pm-10pm Info: 480-752-1958 Cruisin' at the Diner, 5 & Diner, 960 N. 54 th St. I-10 & Ray Road NE Corner Warner and McQueen, 4-9pm West Side Cruisin' - 35 th Ave. & Northern - Info: 602-246-3906 Sal's Pasta & Pizza, Rod & Custom Car Show, 59 th Ave & Beardsley, 6pm-10pm, SW corner in Home Depot parking lot. Zeke's Eatin' Place - (Apr. - Sept.), 3rd Friday of month from 5-8pm - Yavapai Classic Cruisers Coaches Deli on Speedway - 7pm-?? - Info: Juanita Kuhn 520-325-1212 5 & Diner - Info: 520-690-1957
Saturday	Mesa – East Side Phoenix Payson Scottsdale	Next to Wendy's and K-Mart, Hampton near Superstition Springs Mall Safeway Shopping Center, 83 rd Ave & Pinnacle Peak Hooters, 2843 W. Bell Rd. (Bell Road & 28 th Ave.) - Info: 602-375-0000 Park Central Mall, between Osborn & Thomas; 1 st Saturday Night of month Glendale Atlanta Bread Company, 7530 W. Bell Road; Info: 623-334-0906 Saturday Morning Donut Cruise – at Donut Derelick's, Sawmill Shopping Center, Main Street & Highway 87 McDonald's, Scottsdale Pavilions Shopping Center, 4pm-10pm, 9140 E. Indian Bend Rd. (Pima & Indian Bend Road)
Sunday		Payson Famous Sam's - 1-3pm, 2nd Sunday of month, discounts on food, special parking - 307J S. Beeline Hwy. - Info: Shawn or Pauline 928-468-0407

Proper

Distance

To him was bunk

They pulled him out

Of some guy's trunk



OUR ADVERTISERS

To place your ad, send your business card or artwork and appropriate fees to: Olds Club of AZ, P.O. Box 15692, Scottsdale, AZ 85267

Member Cost: \$12/mo full page ad, \$8/mo 1/2 page ad, \$5/mo 1/4 page ad, \$2/mo business card ad (\$24 per year)

Non-Member Cost: For NON-members \$24/mo full page ad, \$15/mo 1/2 page ad, \$10/mo 1/4 page ad, \$5/mo business card ad

Save U Time Titles & Registrations
Title Transfers Duplicate Titles
Registration Renewals Lost Plates/Tabs
Level I Inspections Permits
An Authorized MVD 3rd Party

Scott & Donna Podhradsky
4524 N 16th St
Phoenix, Arizona 85016 602-776-9123

City Center
Creative Printing & Graphics

Stuart B. Schindler, Owner & General Manager

P.O. Box 82375 • Phoenix, Arizona 85082-2375
 Phone (602) 672-9405 • FAX (480) 892-5524 • stuziug@cox.net


ARIZONA
LOAN CENTER, INC.

Marc Beaulac
 Branch Manager


3059 E Parkview Dr 602-615-0632
 Gilbert, AZ 85297 480-279-4003 (fax)
 MarcBeaulac@arizonaloancenter.com

MB0904235

BOSWELL & ASSOCIATES
 Real Estate Appraisers

LLOYD K. (KEN) BOSWELL, J.D.
 CERTIFIED GENERAL APPRAISER
 SRA, SRPA

8609 E. Clydesdale Tr. (480) 991-2900
 Scottsdale, Arizona 85258 Fax: (480) 951-0057
 www.boswellappraisals.com


Chester A. Yon, P.C.
 ATTORNEYS AT LAW

CHESTER A. YON

13253 N. La Montana Dr., Ste. 102 Fax: (480) 837-0601
 Fountain Hills, AZ 85268 Mobile: (480) 980-8701
 Office (480) 837-1421 E-mail: yonlaw@qwest.net

MUSCLE CAR WORD SEARCH

A 20x20 grid of letters with several words highlighted in boxes. The words are: FAIRLANE, HORNET, CHRYSLER, TRANSAM, ADUCARRABO, and SKYLARK. Other words visible in the grid include: BIFIRAXME, AUTIRYWTGAXEACMMFAOA, RGJBRITKNLBRMHUBXLVR, IVOSGECPAEHORNETDCHA, VCZKVJBALBGXUPCSIOMB, CGNRCDFICYITHDMVENFB, HROGOHAURPMEBOZDNLJL, ECFTMYAGHDROBSIACGGGE, CJLBEKNLJKXIUSRKATZR, HORBTALELNLPTDEMONM, EYHOTREJJOEXFOHCRGRPR, VTSSPDAUXRNTDTNAVEAE, EAUUCVYNBTMG TAYMDCBN, LMOPEPEISGEOEIKAFHFN, LPGLTLRHMEBSTRVRMOVU, EAITZDECHRYSLEROSDRR, FNEGOLRTRANSAMEKILHD, UOLJBSEMIADUCARRABOA, RSOYRUCREMTRAUPZJVNO, BARRDGNZSKYLARKTABER.

Answers to Trivia on Page 7

Oldsmobile Club of Arizona
P.O. Box 15692
Scottsdale, AZ 85267-5692



Downsize? Upsize? or just RIGHTSIZE...
Whenever you think of buying, selling, building or renting a home, please call on me to deliver the detail and care you expect and deserve! **Jeannie Wavrin 602-791-0248**

“Martha”



1947 Oldsmobile
Series “66”

Call Today!



Want the BEST rate on your next mortgage?
Need to build a bigger garage to hold more cars? Perhaps just a little cash-out to buy a few classics. Please call on me to assist you with the very best mortgage rate and terms available today!

Michael Thomas 602-791-0249

AZ 090347